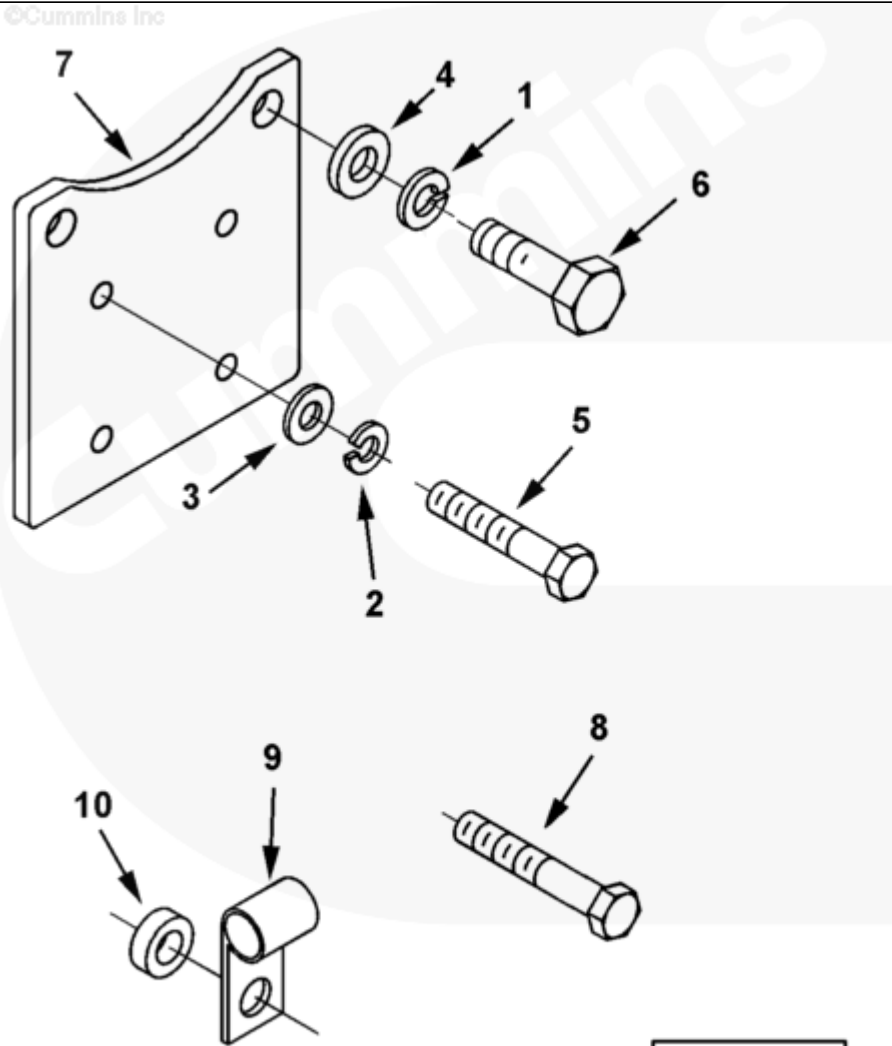




Parts Catalog - Option Detail

Electronic Parts Catalog - Option Detail				
Option	Group	Graphic	Film Card	Date
PP2404-04	06.01.2	pp602gm	K38	12-JAN-04
Engines	GTA38, K38, KTA38GC CM558, QSK38 CM2150 K106, QSK38 CM2150 MCRS, QSK38 CM850 MCRS			



pp602gm

[SMALL](#) | [MEDIUM](#) | [LARGE](#)

Cart	Ref No	Part Number	Part Description	Required	Remarks
View My Cart					
		PP2404-04	Oil Control Valve Mounting		

<input type="checkbox"/>	1	S 604	Lock Washer	4	3/8 in.
<input type="checkbox"/>	2	S 605	Lock Washer	6	5/16 in.
<input type="checkbox"/>	3	S 626	Plain Washer	6	5/16 in.
<input type="checkbox"/>	4	63842	Plain Washer	4	3/8 in.
<input type="checkbox"/>	5	S 164	Hexagon Head Cap Screw	6	5/16 - 24 X 3 Inch.
<input type="checkbox"/>	6	S 137	Hexagon Head Cap Screw	4	3/8 - 16 x 2 in.
<input type="checkbox"/>	7	3634172	Valve Bracket	2	
<input type="checkbox"/>	8	S 108 B	Hexagon Head Cap Screw	2	5/16 - 24 X 3 1/4 Inch.
<input type="checkbox"/>	9	3627412	Clip	2	
<input type="checkbox"/>	10	3632879	Mounting Spacer	2	

© 2019 Cummins Inc., Box 3005, Columbus, IN 47202-3005 U.S.A.
Terms of Use and Disclaimers | Recommended System Requirements
Need Assistance? Please click on the Contact Us button in the top right corner of any page.